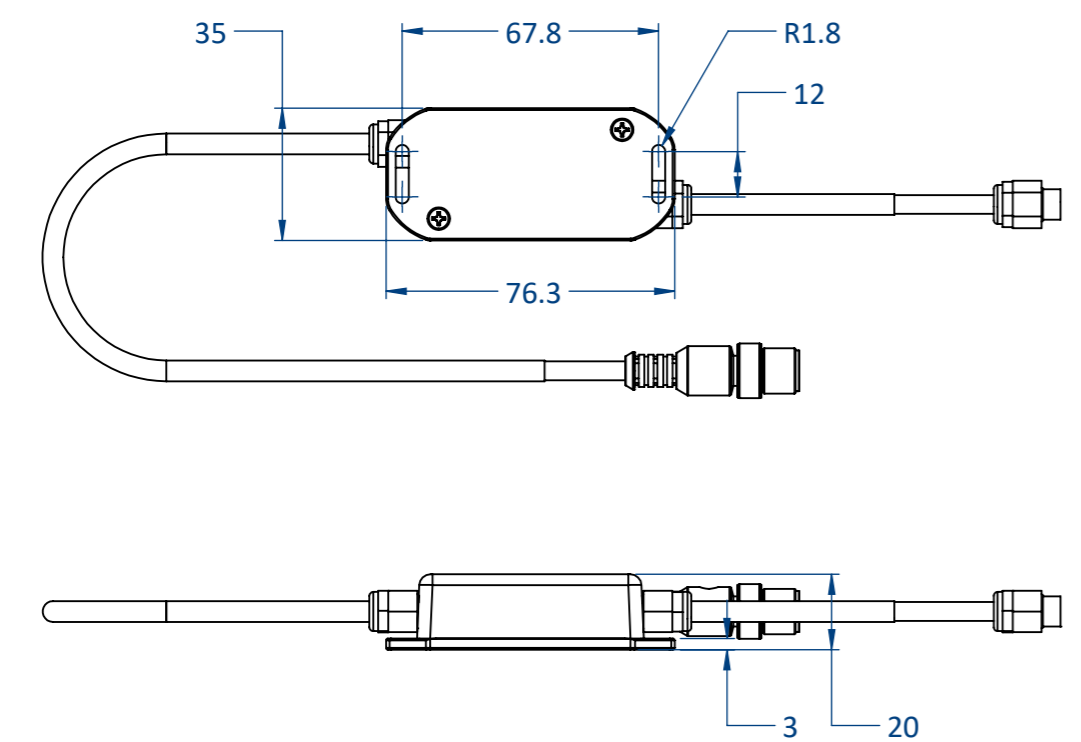
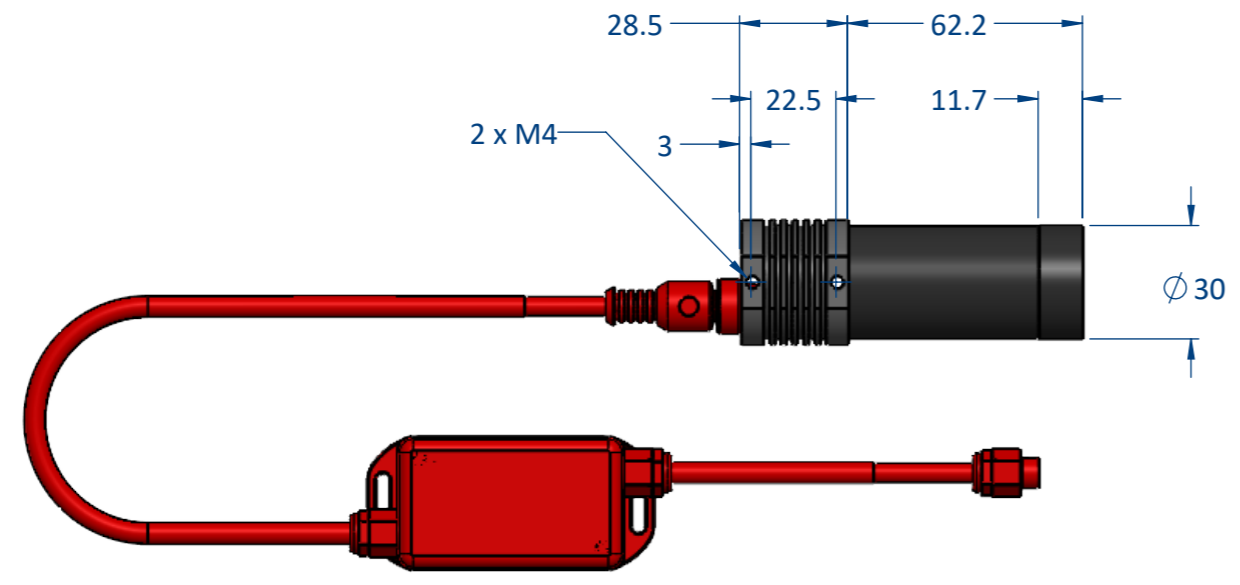


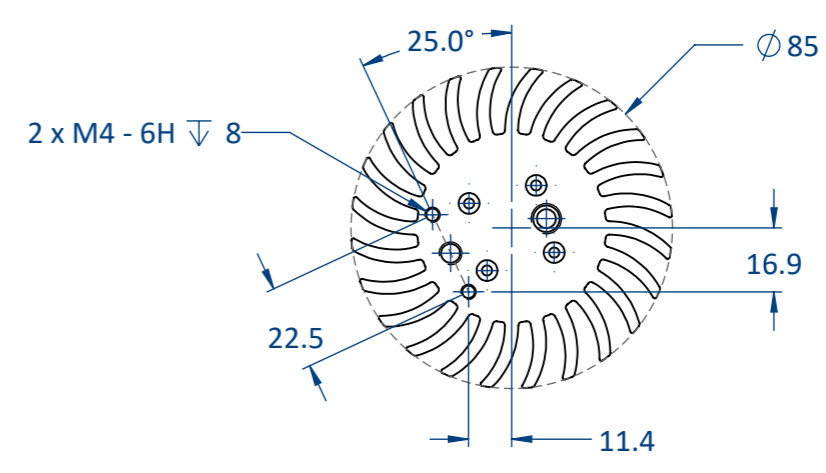
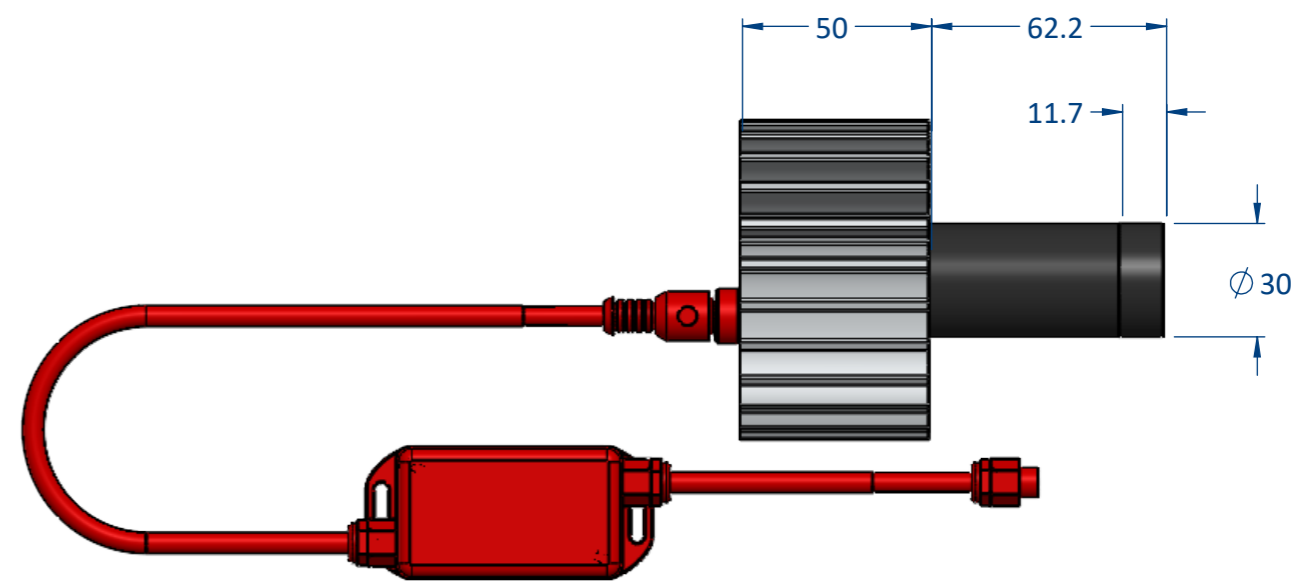
THIS DOCUMENT AND THE INFORMATION IT CONTAINS ARE PROPERTY OF EFFILUX AND CONFIDENTIAL. THEY SHALL NOT BE REPRODUCED NOR DISCLOSED TO ANY PERSON EXCEPT TO THOSE HAVING A NEED TO KNOW THEM WITHOUT PRIOR WRITTEN CONSENT OF EFFILUX

CE DOCUMENT ET LES INFORMATIONS QU'IL CONTIENT SONT CONFIDENTIELS ET SONT LA PROPRIETE EXCLUSIVE DE EFFILUX. ILS NE DOIVENT ETRE COMMUNIQUEES QU'AUX PERSONNES AYANT A EN CONNAITRE ET NE PEUVENT ETRE REPRODUITS NI DIVULGUES A TOUTE AUTRE PERSONNE SANS AUTORISATION PREALABLE ECRITE PAR EFFILUX

EFFI-LASE :



EFFI-LASE-POWER :



PLEASE REFER TO THE SPECIFIC DOCUMENTATION FOR WIRING LAYOUT		DES/ DRA.	20/06/2024
		APPROVED	20/06/2024
Reference	IP	1 Rue de Terre Neuve Mini Parc du Verger Bâtiment E 91940 Les Ulis, France	
EFFI-LASE-CM-ZZZ-MMM EFFI-LASE-PWR-CM-ZZZ-MMM	5X		
Designation	Mail: sales@effilux.fr Tel : +33 9 72 52 70 03 www.effilux.com		
EFFI-LASE EFFI-LASE POWER			
Rev /	Unit : mm	General Tolerances	
Scale 1:2	Size A3	X ≤ 300 TOL ±0,2 300 < X < 800 TOL ±0,5 X ≥ 800 TOL ± 1	
Page 1/1			

**Red components correspond to the M12 configuration (with LED driver).
For the M8 configuration (without LED driver) don't take this into account**