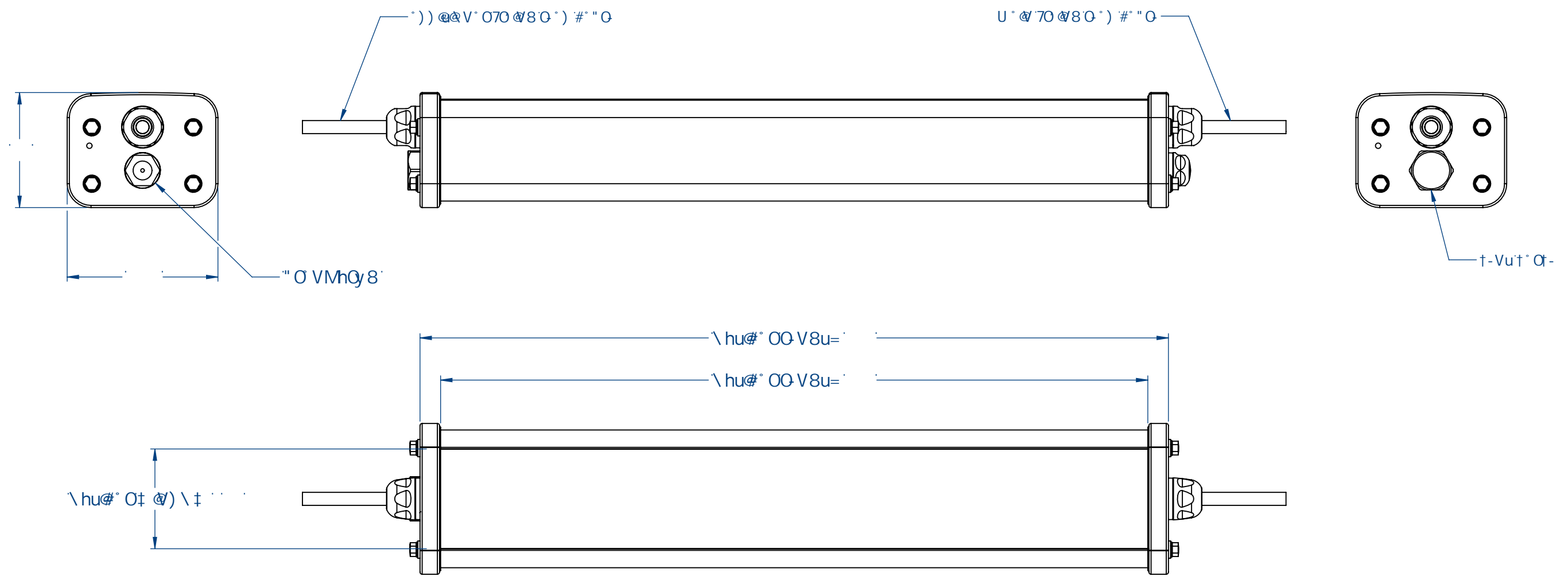
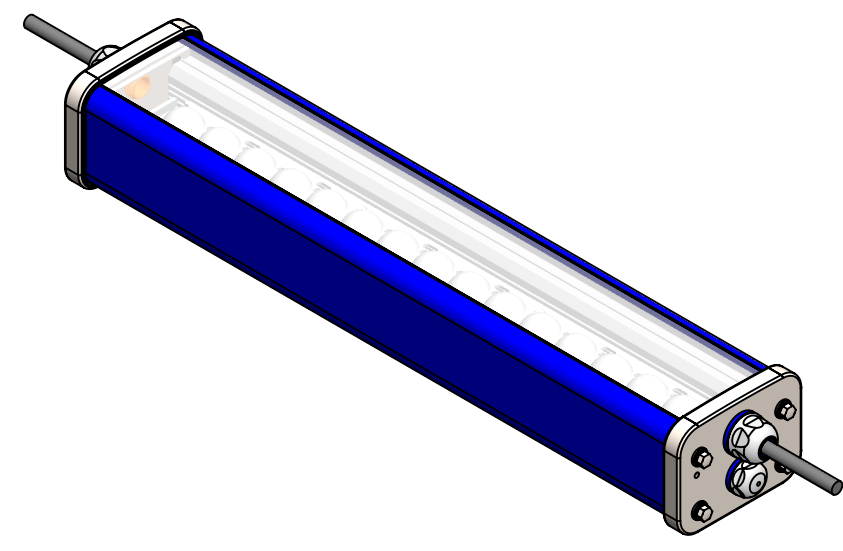


HK-68C71A 98H5B8 HK-9-B: CFA 5HC B #7 C B H 5-BG5F9DFC D9F HMC:
 9: 4 L 5B8 7 C B: #9B H6 @ H-9M G-5 @B C H69 F9DFC 817 98 BC F
 8-67 @C G98 HC 5BMD9F GC B 9L 7 9DHC HC G <5J #B: 5 B 998 HC ?BCK
 HK 9A K #C I H D F-£ F K F #H9B 7 C B G9B HC: 9: 4 L

7 98C 71 A 98 H9H @G B: CFA 5 H E B G E L #7 C B H 9B H G C B H 7 C B: #9B H 9 @C 9 H C C B H @S
 D F C D F-4 H 9 L 7 @ G 9 8 9 9: 4 L " @G B 9 8 C # 9 B H 9 F 9 7 C A I B # I 9 G E I # I L
 D9F GC B B 9 G 5 M B H 5 '9 B 7 C B B 5 # F 9 H B 9 D 9 J 9 B H 9 F 9 F 9 D F C 81 # G B =8 # I @ I 9 G 5
 H C I H 9 5 I F 9 D 9 F C B B 9 C 5 B G 5 I H C F 6 5 H C B D F 9 5 C 6 @ 9 9 7 F # P D 5 F 9: 4 L



\ hu@° OQ V8u= CEEEE	hk\) y#uQ V8u= CEEEE	‡ -@-u' MB



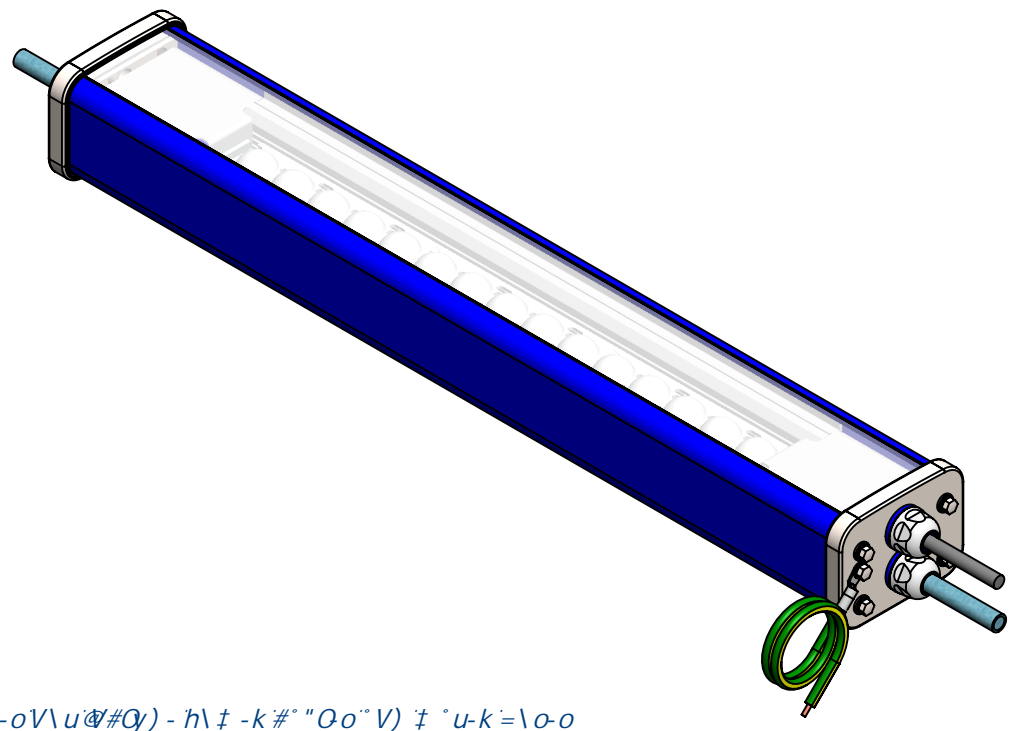
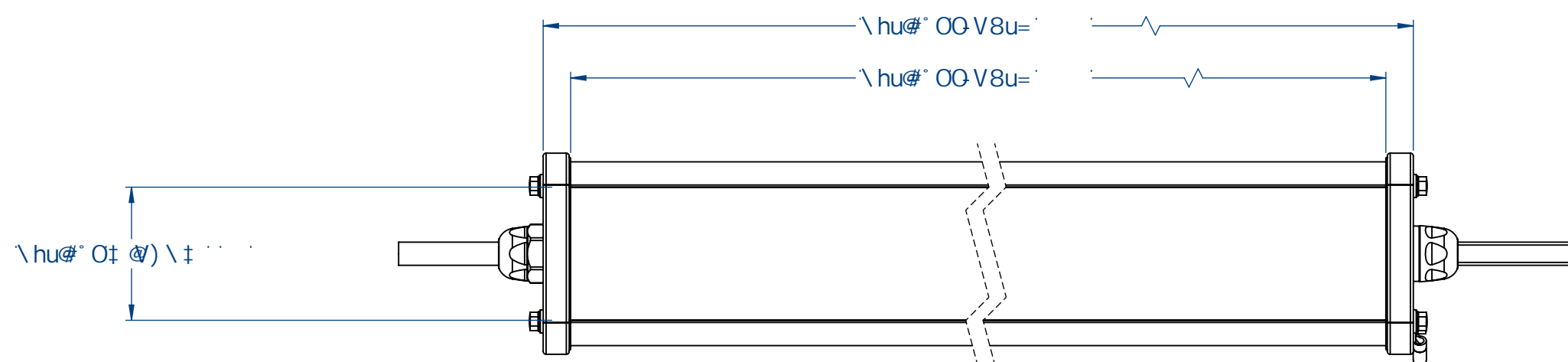
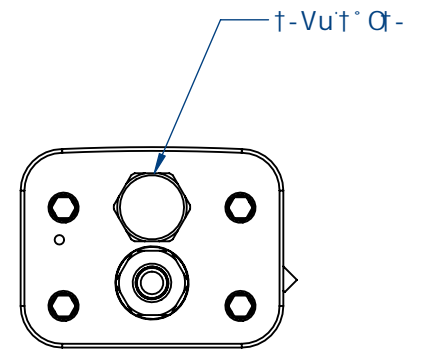
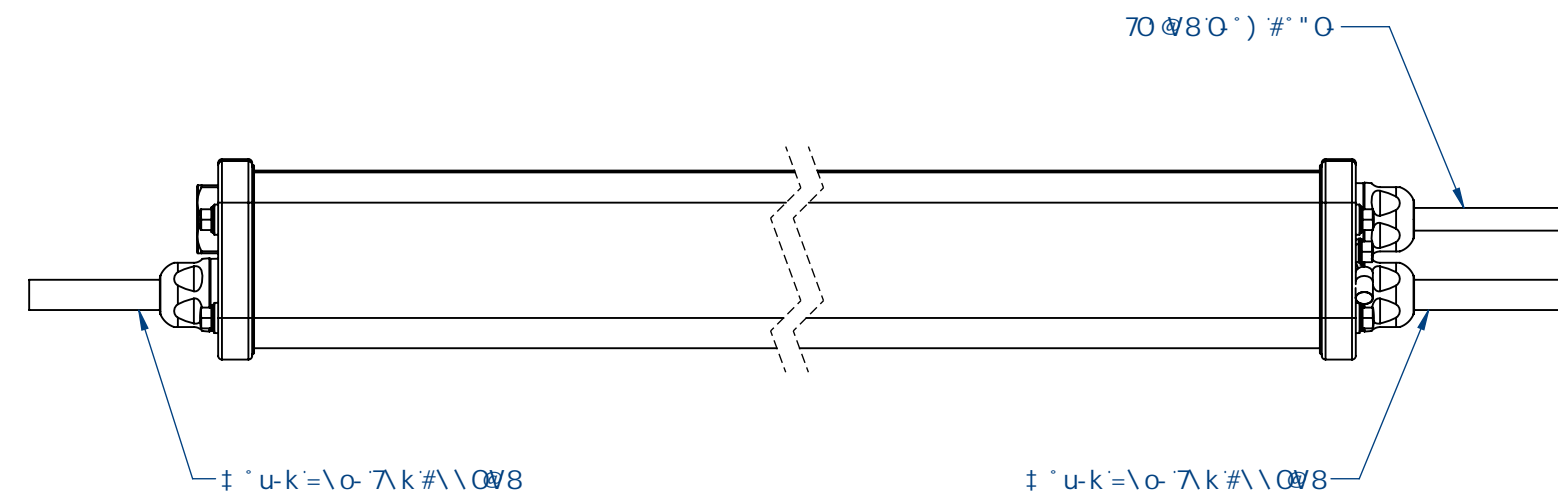
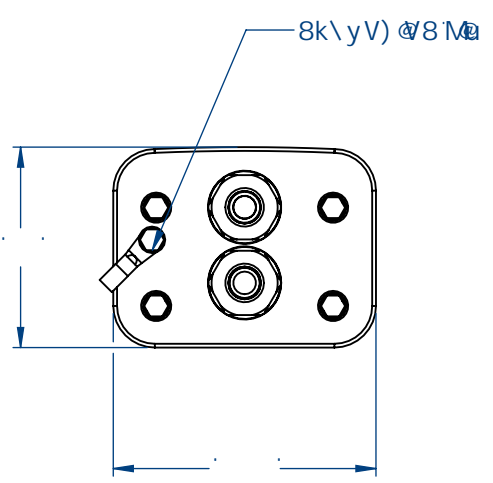
hQ° o-k-7-k'u' u=- ch-#@#)\#yU-Vu' u@V^k† @80° \yu

Ü^A\^)& GH5 B85 F8!9: : ‡: @L&I-D* - ?	Ö *- ?	k u V U h † O y 7
Ö^•ã} ăă } 9: : ‡: @L&I-D* - ?!& @		U u
Ü^ç #	Ü^ç % #/8/8&@	Wj ăĂ {
o FG	Üā^ CH	Üă^ GD
Ö^A\^A\ ^ă &• L'° \$ \$ HC @- \$2 ' \$ \$ O' L' O', \$ \$ HC @- \$3 L' - , \$ \$ HC @- %		

Efficient Led Lighting

) \-oV u@#Q) - h\ ‡ - k # " O o V) ‡ ' u - k = \ o o

798C71A 9BH5B8 HK9:B: CFA 5HC B: #7C B H5-BG5F9DFC D9F HMC:
 DFCDF 4H9L7 @ G4 9899: L" 48B98C # 9BH9F97 CA A I B # I 9GE I 1 L
 D9FC BB9G5M5BH5 9B 7C B B5 #F99HB9D9I J 9BH9F97DFC 8I #GB=8 #I @ I 9G5
 H C I H95I1 F99FC BB9 G5B G5I H C F 45HC B DF 95 6 997 F #D5F 9: L



\ hu#* OQ V8u= C E E E E	hk \) y # u Q V 8 u =	† - @ = u' M B

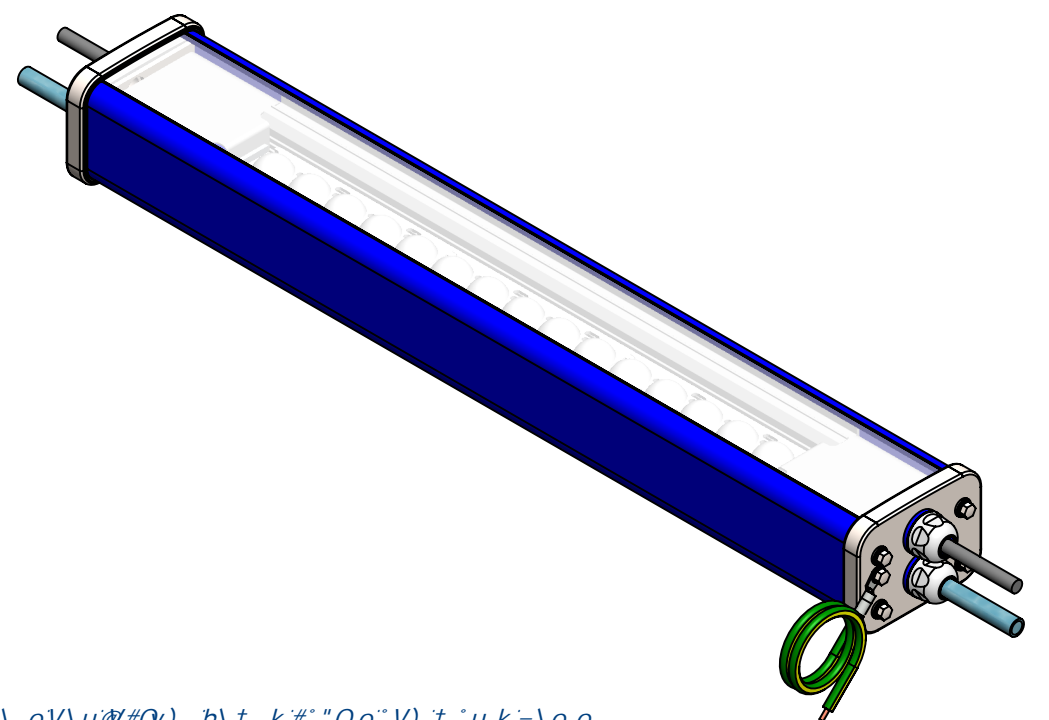
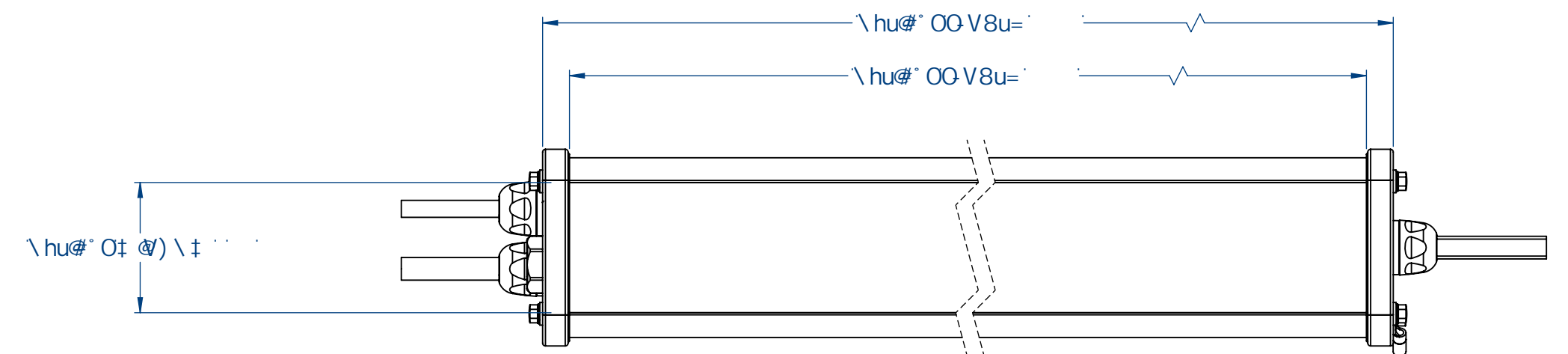
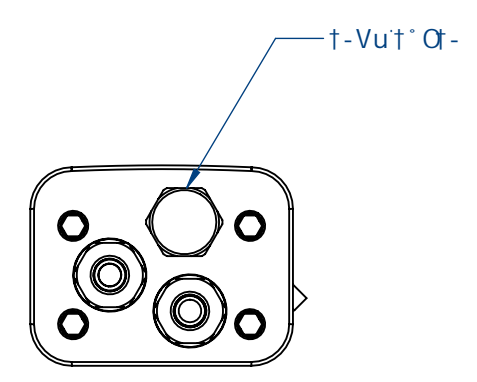
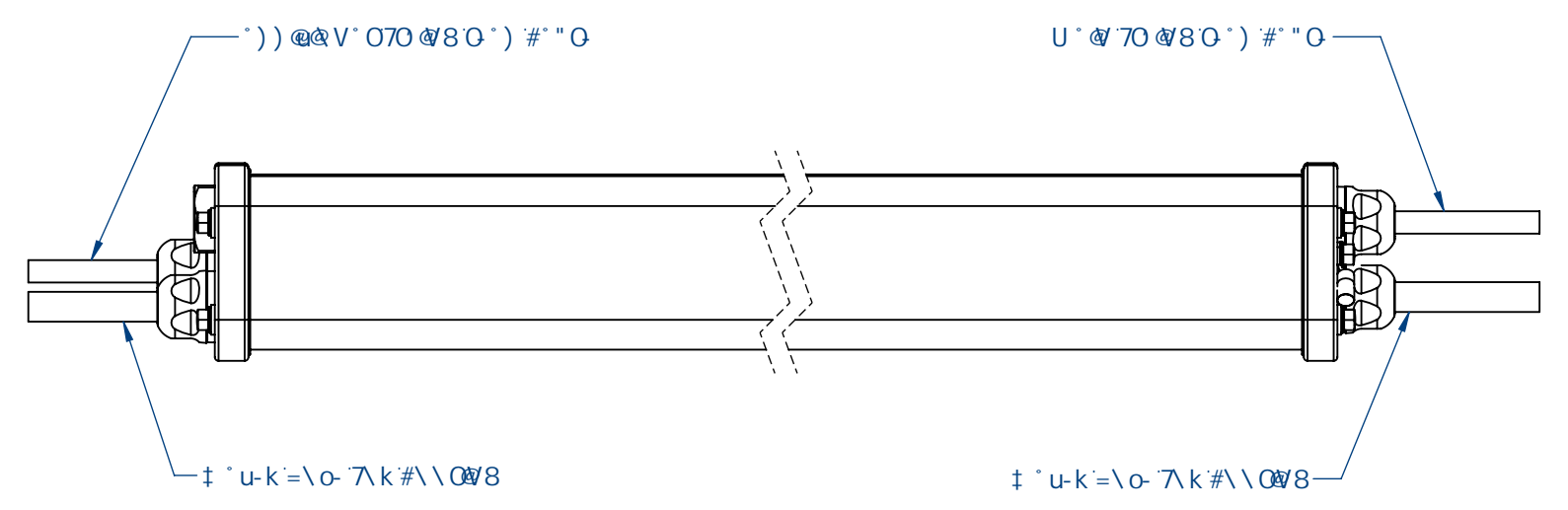
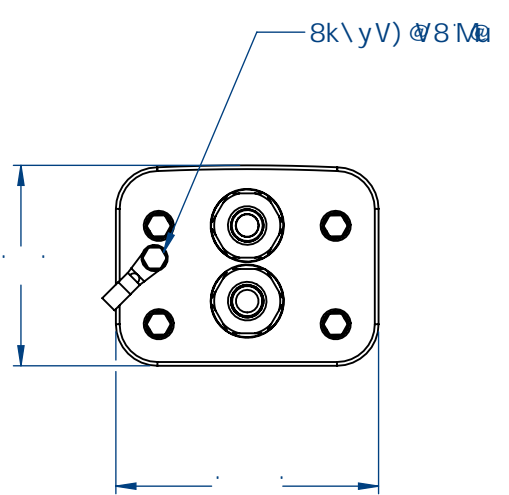
) \ - o V u @ # Q -) - h \ † - k # " Q o " V) † ' u - k = \ o - o

hQ* o - k - 7 - k u' u = - ch - # @ #) \ # y U - V u' u @ V 7 k † @ @ 8 0 ' \ y u

Ü^ A \) & GH5 B85 F8 !9 : : † : @L&!-D* - ?		ó * - ?	k : u V " h : † O y 7
Ö^ ă } ä ä } 9 : : † : @L&!-D* - ? !K HF! : @		u	
Ü^ç #	Ü^ç % # / & B \$ & Üā^ QH	Wj äÄ { @	Ö^) ! ä Ä \ ä & ^ L' @ \$ \$ HC @ - \$ \$ ' \$ \$ O' L' O', \$ \$ HC @ - \$ \$ L' ; \$ \$ HC @ - %

HK-68C71A 98H5B8 HK-9-B: CFA 5HC B- #7CBH5-BG5F9DFC D9F HMC:
 9: @ L 5B8 7CB: #98H6 @ HK-9MG-5 @ @BC H69 F9DFC 81798 BCF
 8-@7 @C 098 HC 5BMD9C B 9L7 9DHHC HK-C 9<5J B: 5 B 998 HC ?BCK
 HK 9A K #C I Hdf-€ F K F #H8 7CBG8HC: 9: @ L

798C71A 98H9H @GG-B: CFA 5HE BGE I #07CBH9B HGC-BH7CB: #98H9@9HCC BH@S
 DFCDF-9H9L7 @ G4 9899: @ L-@6B98C #98H9F97CA AIB#I 9GE I 151L
 D9FC BB9G5M8BH5 9B 7CB B5 #99HB9D9I J 98H9F9DFC 81 #GB=8 #I @ I 9G5
 HC I H95I I F 9D9FC BB9 05BG5I HC F-@5HC B DF 95@6@97F #9D5F 9: @ L



\ hu#° OQ V8u=	hk\) y#uO V8u=	† - @=u' M8
CEEE		

hQ° o-k-7-k'u' u=- ch-#@#)\ #yU-Vu' u@V 7k# @ @80° \ yu

Ü^A/\&A	ó	k u V
GH5 B85 F8!9:: †: @L&!-D*- ?	*-?	U h †
		O y 7
Ö^•ã } ăă }		u
9:: †: @L&!-D*- ?!K HF!& @		u
Ü^ç #	Ü^ç % #/B\$&	Wj äÄ {
o FIG	Üā^ CH	Üæ^ I B
		⊕ ⊖
Ö^) !:ãÄ [!:ã &•		
L'@' \$\$ HC @-\$&		
' \$\$ O'L' O', \$\$ HC @-\$&		

) \-o\Vu@#Q)- h\ †-k#"Oo"V) † *u-k'=\o-o