

Precise

Compact

Customizable



effiRLLA

Ring lighting

INTRODUCTION

TABLE OF CONTENTS

PARTNUMBERING.....	PAGE 2
GENERAL SPECIFICATIONS.....	PAGE 3
ELECTRONICAL SPECIFICATIONS.....	PAGE 4
MECHANICAL SPECIFICATIONS.....	PAGE 5
CONTACT INFORMATION.....	PAGE 6

PART NUMBERING

STANDARD VERSION

EFFI-RLLA	- XX	- YYY	- Z
	Angle	Diameter	Wavelength (nm)
	90	045	● B (470)
		060	● G (525)
		100	● R (630)
			● I (940)
			○ W (000)

GENERAL SPECIFICATIONS



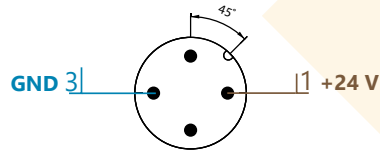
Illumination Mode	Continuous
Wavelengths	White, Red (630nm), Green (525nm), Blue (470nm), Infrared (940nm)
Input current	see the corresponding table (page 4)
Power Consumption	see the corresponding table (page 4)
Connector(s)	M12 - 4 pins
Weight	Between 80g and 160g
Dimensions	see mechanicals specifications
Operation environment	Temperature: 0°C to 40°C - Humidity: 20 to 85%RH (with no condensation) - Altitude: Up to 2000m
Storage environment	Temperature: -20° to 60°C - Humidity: 20 to 85%RH (with no condensation)
Informations	Overvoltage category I - Protective class III - Pollution degree 3
Regulations & Marking	CE - UKCA
Environmental Standards	RoHS Directives (2011/65/EU, 2015/863/EU and China RoHS) - REACH Regulation - WEEE Regulation
Country of Origin	France

ELECTRONICAL SPECIFICATIONS

CONTACT ARRANGEMENT

All the products of the EFFI range are supplied with a 24V DC constant voltage.

M12 4pins - male connector



Notes: Please use within 24V, otherwise it may cause temperature rise or could diminish the lifetime.

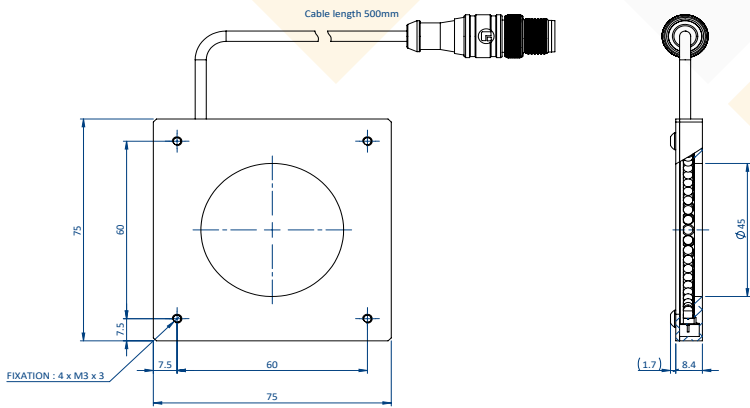
POWER CONSUMPTION

	Wavelength	
	Red (630nm), Green (525nm), Blue (470nm)	White
EFFI-RLLA-90-045-Z	2.6W	4.3W
EFFI-RLLA-90-060-Z	3.1W	5.2W
EFFI-RLLA-90-100-Z	5.1W	8.6W

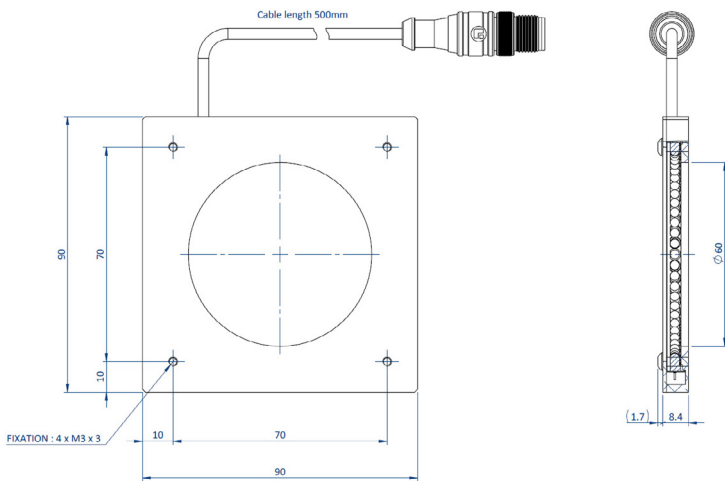
INPUT CURRENT

	Wavelength	
	Red (630nm), Green (525nm), Blue (470nm)	White
EFFI-RLLA-90-045-Z	100mA	170mA
EFFI-RLLA-90-060-Z	120mA	200mA
EFFI-RLLA-90-100-Z	200mA	340mA

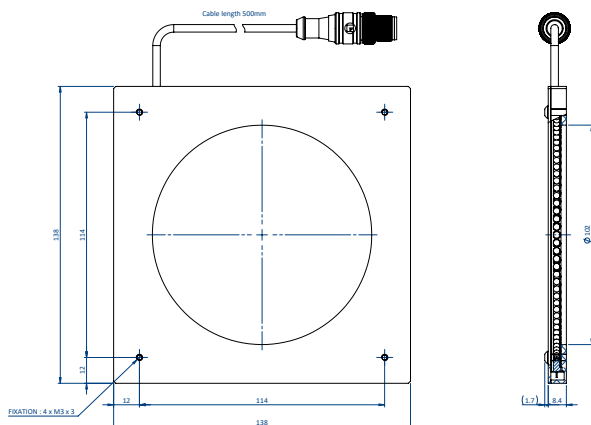
EFFI-RLLA-90-045-Z



EFFI-RLLA-90-045-Z



EFFI-RLLA-90-045-Z



CONTACT INFORMATION

Please refer to the specific documentation (datasheet, user manual and drawing) for complementary information. Contents of this document are based on information available as of August -2025 and may be changed without prior notice.



EFFILUX
1, Rue de Terre Neuve
Mini Parc du Verger - Bâtiment E
91940 Les Ulis - FRANCE

Tel: +33 9 72 38 17 80
Fax: +33 9 72 11 21 69
Mail: sales@effilux.fr

Copyright 2022 Effilux - All rights Reserved