



**Diffuse Light**

**IP69K**

**High homogeneity**

**Long lifetime**



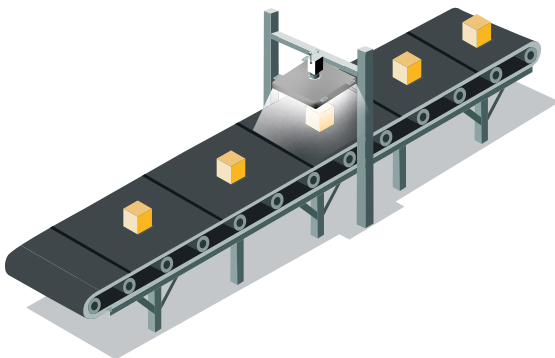
# effiFD-IP69K

Waterproof flatdome for food and chemical environment

## TABLE OF CONTENTS

<b>PART NUMBERING.....</b>	<b>PAGE 3</b>
<b>TECHNICAL SPECIFICATIONS.....</b>	<b>PAGE 4</b>
<b>ELECTRONICAL SPECIFICATIONS.....</b>	<b>PAGE 5</b>
<b>MECHANICAL SPECIFICATIONS.....</b>	<b>PAGE 6</b>
<b>ACCESSORIES.....</b>	<b>PAGE 7</b>
<b>CONTACT INFORMATION.....</b>	<b>PAGE 7</b>

## APPLICATIONS



### Inspection:

- Dimension control: Highlighting the edges of the object (maximum contrast between the background and the form).
- Absence/presence of holes.
- Liquid level control of bottle.
- Ideal for transparent and translucent materials (glass, fabric, printed circuit...).
- And many other machine vision applications.

### Robotics:

- Object location for pick and place.

## RELATED PRODUCT

Refer to the datasheets of the products below for more details on those related products.

### EFFI-FD



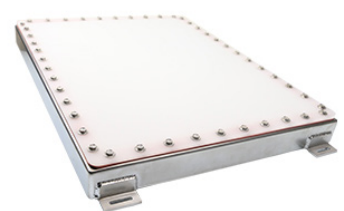
Flat Dome Light

### EFFI-SBL



Compact and robust IP67 backlight

### EFFI-BL-IP69K



IP69K version equivalent but without hole for camera

# PART NUMBERING

## STANDARD VERSION

EFFI-FD-IP69K	- XXX	- YYY	- ZZZ
	<b>Optical width (mm)</b>	<b>Optical length (mm)</b>	<b>Wavelength (nm)</b>
	200	200	● <b>465</b> (Blue)
	250	250	● <b>525*</b> (Green)
	300	300	● <b>625</b> (Red)
	...Every 50mm steps	...Every 50mm steps	● <b>850</b> (Infrared)
	600	600	● <b>940*</b> (Infrared)
			○ <b>000</b> (White 5700K)

### IMPORTANT NOTES:

- YYY must be larger than XXX in the part number.
- (\*) Only on request, contact EFFILUX.

## AVAILABLE VERSIONS & OPTIONS

VERSION	
Food version	EFFI-FD-IP69K- <b>FOOD</b> -XXX-YYY-ZZZ For food processing environment, the nickel-plated brass gland can be replaced with a stainless steel one.
MECHANICAL OPTION	
5m cable length	EFFI-FD-IP69K-XXX-YYY-ZZZ- <b>L5</b> Default configuration: cable length 10 meters. This option reduces the length to 5 meters.
Venting option	EFFI-FD-IP69K-XXX-YYY-ZZZ- <b>V</b> Vent to equalize pressure and minimize condensation (not compatible with FOOD version).
Hole diameter	EFFI-FD-IP69K-XXX-YYY-ZZZ- <b>HH</b> HH corresponds to the hole diameter (D30, D39, D58). Default hole is 70mm large (D70).

# TECHNICAL SPECIFICATIONS

## effiFD-IP69K

<b>Illumination Mode</b>	Continuous with AIC (Analog Intensity Control)	
<b>Wavelengths</b>	465nm, 525nm*, 625nm, 850nm, 940nm*, White (5700K ±700K)	
<b>Power Supply</b>	24V DC	
<b>Connector(s)</b>	<b>Flying lead - 1 input</b>	<b>M12 - 5 pins</b>
<b>Power Consumption</b>	Related to the dimensions	
<b>Analog Intensity Control (AIC)</b>	The output optical power is adjustable from 20% to 100% by applying a signal from [5V-24V DC] Total voltage range [0V-24VDC] / Don't exceed 24V DC / Max. signal consumption: 23mA	
<b>Weight</b>	Related to the dimensions	
<b>Thickness</b>	35.6mm	
<b>Dimensions</b>	From 200mm x 200mm to 600mm x 600mm	
<b>Hole diameter</b>	70mm	
<b>Material</b>	Device body: Stainless Steel; Window: PMMA	
<b>Fastener</b>	4 holes (Ø 5.5mm / 20mm length)	
<b>IP rating</b>	IP68 & IP69K	
<b>Operation environment</b>	Temperature: 0°C to 40°C - Humidity: 20 to 85%RH (with no condensation) - Altitude: Up to 2000m	
<b>Storage environment</b>	Temperature: -20° to 60°C - Humidity: 20 to 85%RH (with no condensation)	
<b>Informations</b>	Overvoltage category I - Protective class III - Pollution degree 3	
<b>Regulations &amp; Marking</b>	CE - UKCA	
<b>Environmental Standards</b>	RoHS Directives (2011/65/EU, 2015/863/EU and China RoHS) - REACH Regulation - WEEE Regulation	
<b>Country of Origin</b>	France	

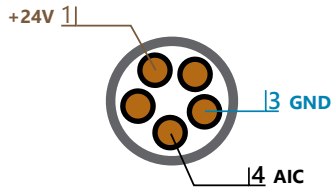
**Note:** (\*) Only on request, contact EFFILUX.

# ELECTRONICAL SPECIFICATIONS

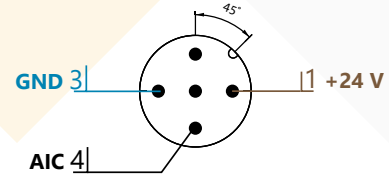
## WIRING LAYOUT

The EFFI-FD-IP69K is supplied with a 24V constant voltage. Please make sure that the flying leads output of the cable is in a sealed area. The AIC contact needs to be connected.

### Flying lead - 1 input (standard version)



### M12 5pins - 1 input (food version)



#### Important notes:

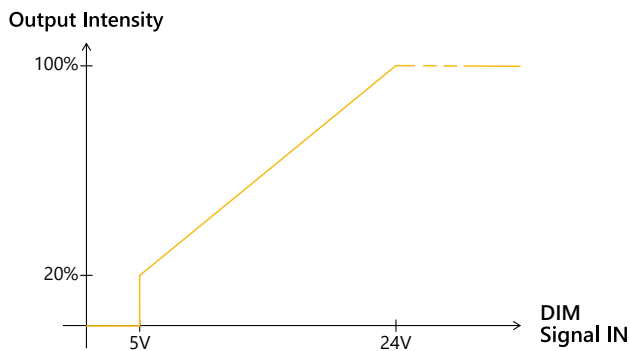
- The EFFI-FD-IP69K requires 24V DC input power.
- The AIC contact needs to be connected.
- The standard cable included is resistant to detergent, hot water, bio-oil, harsh environment and can be used outdoor.
- A M12-5pins connector is molded at the end of the FOOD cable contrary to the standard which is a flying lead.
- Please note that for the FOOD option above 500mm x 500mm the EFFI-FD-IP69K must be supplied with 2 cables.

## POWER SUPPLY

Please refer to below electrical power consumption table for the power of each product according to different dimensions. EFFI-FD-IP69K is supplied with a ÖLFLEX® ROBUST 210 cable. For specific configurations, please contact EFFILUX for more information.

		Maximum electrical power consumption @24V (W) for standard white EFFI-FD-IP69K				
		Optical width (mm)				
		200	300	400	500	600
Optical length (mm)	200	15	23	28	35	43
	300		33	43	53	63
	400			55	70	85
	500				88	110
	600					125

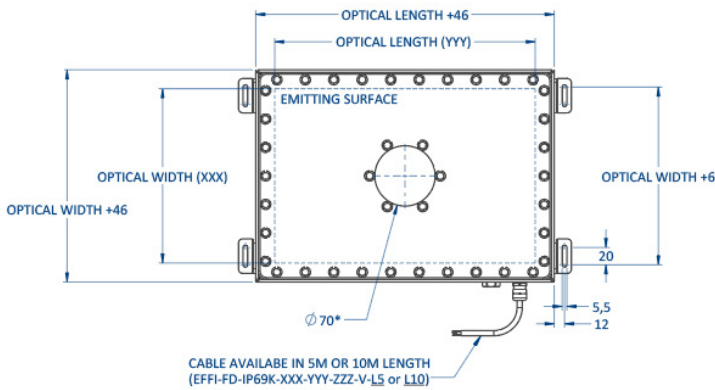
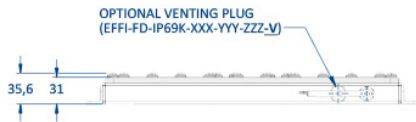
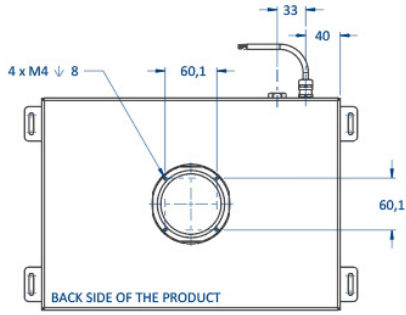
## AIC: ANALOG INTENSITY CONTROL



### AIC Signal consumption (mA)

		Optical width (mm)							
		50	100	200	300	400	500	1000	1500
Optical length (mm)	50	0.3	0.6	1.2	1.8	2.4	3	6	9
	100	0.6	0.3	0.6	0.9	1.2	1.5	3	4.5
	150	0.9	0.9	1.8	2.7	3.6	4.5	9	13.5
	200	1.2	1.2	1.2	1.8	2.4	3	6	9
	250	1.5	1.5	1.5	3.6	4.8	6	12	18
	300	3	0.9	0.9	2.7	3.6	4.5	9	13.5
500	3	1.5	1.5	4.5	6	7.5	15	22.5	

# MECHANICAL SPECIFICATIONS



## CABLE CONFIGURATIONS :

EFFI-FD-IP69K-XXX-YYY-ZZZ :



EFFI-FD-IP69K-**FOOD**-XXX-YYY-ZZZ :



## CAMERA HOLE OPTIONS

	EFFI-FD-IP69K-XXX-YYY-ZZZ-D30	EFFI-FD-IP69K-XXX-YYY-ZZZ-D39	EFFI-FD-IP69K-XXX-YYY-ZZZ-D58	EFFI-FD-IP69K-XXX-YYY-ZZZ-D70 (STANDARD)
Back side of the product (tapped holes)				
	No tapped holes for this size			

# ACCESSORIES

Please refer to the specific documentation for additional information on the accessories of the EFFI-FD-IP69K.



EFFI-DIMMER
EFFI-DIMMER2

# CONTACT INFORMATION

Please refer to the specific documentation (datasheet, user manual and drawing) for complementary information. Contents of this document are based on information available as of February-2025 and may be changed without prior notice.



EFFILUX  
1, Rue de Terre Neuve  
Mini Parc du Verger - Bâtiment E  
91940 Les Ulis - FRANCE

Tel: +33 9 72 38 17 80  
Fax: +33 9 72 11 21 69  
Mail: sales@effilux.fr

Copyright 2022 Efflux - All rights Reserved