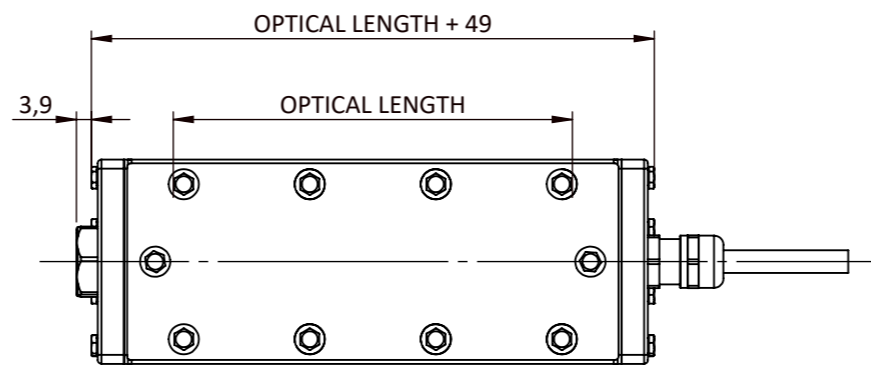
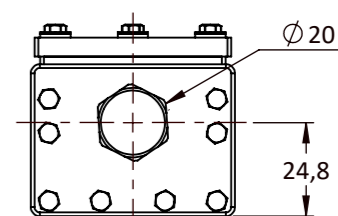
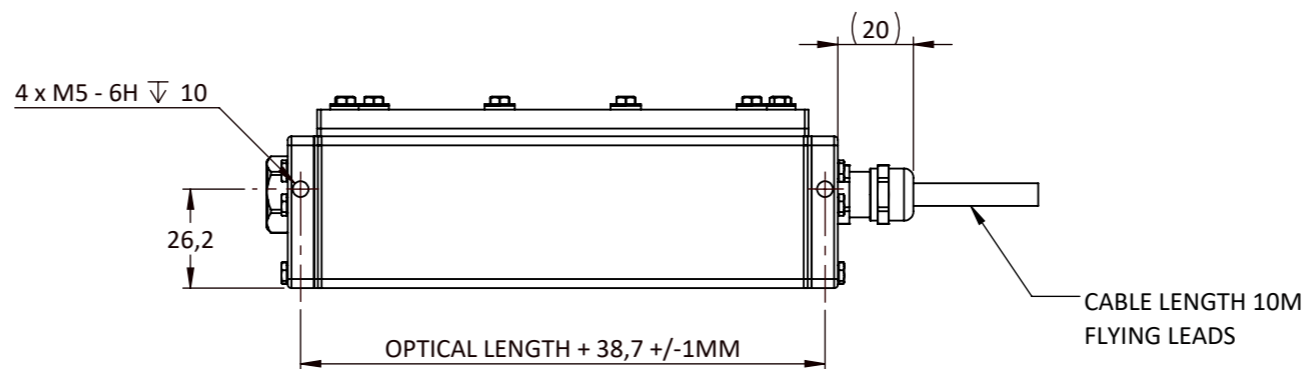
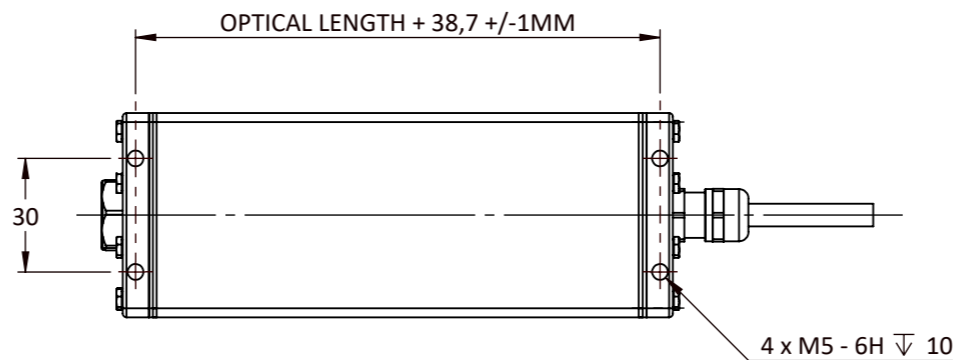
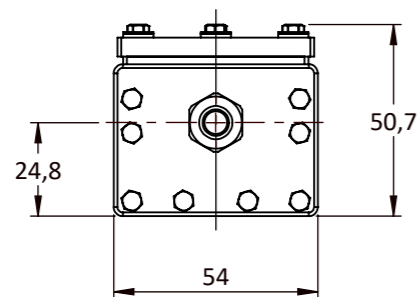
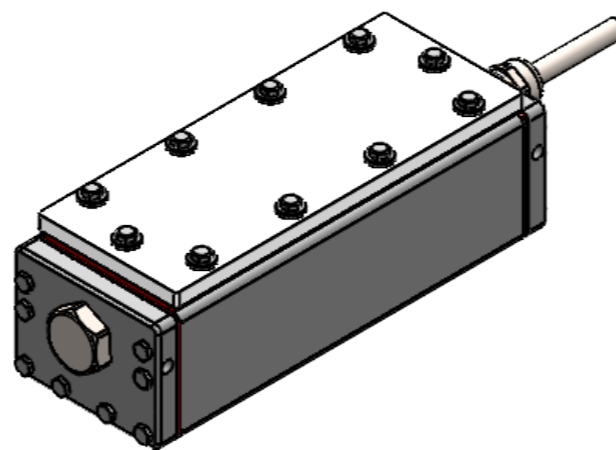


THIS DOCUMENT AND THE INFORMATION IT CONTAINS ARE PROPERTY OF EFFILUX AND CONFIDENTIAL. THEY SHALL NOT BE REPRODUCED NOR DISCLOSED TO ANY PERSON EXCEPT TO THOSE HAVING A NEED TO KNOW THEM WITHOUT PRIOR WRITTEN CONSENT OF EFFILUX

CE DOCUMENT ET LES INFORMATIONS QU'IL CONTIENT SONT CONFIDENTIELS ET SONT LA PROPRIETE EXCLUSIVE DE EFFILUX. ILS NE DOIVENT ETRE COMMUNIQUEES QU'AUX PERSONNES AYANT A EN CONNAITRE ET NE PEUVENT ETRE REPRODUITS NI DIVULGUES A TOUTE AUTRE PERSONNE SANS AUTORISATION PREALABLE ECRITE PAR EFFILUX



NUMBER OF LED-XXX (STANDARD VERSION)	OPTICAL LENGTH	PRODUCT LENGTH	WEIGHT (KG)
5 LED	100	149	0,8
10 LED	200	249	1,2
15 LED	300	349	1,5
20 LED	400	449	1,9
25 LED	500	549	2,3
30 LED	600	649	2,7
...	...	...	...



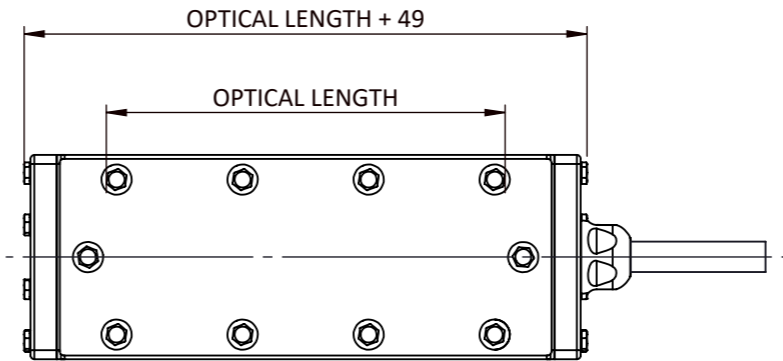
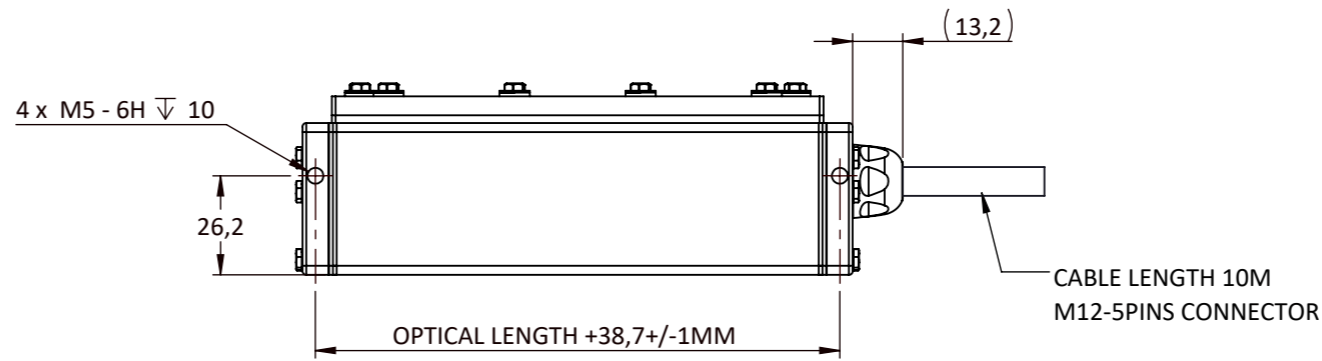
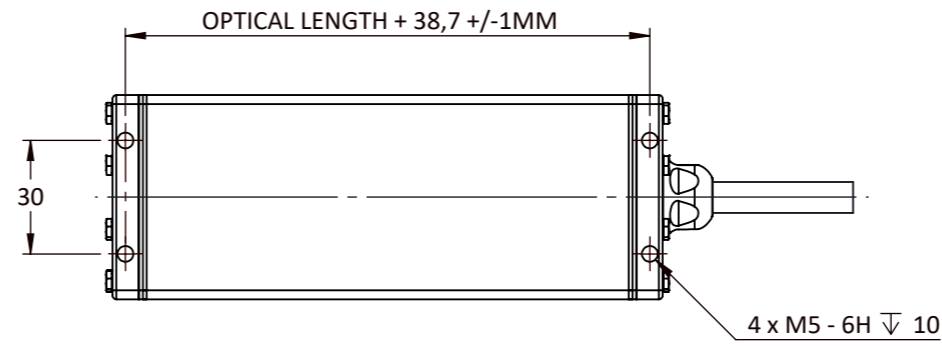
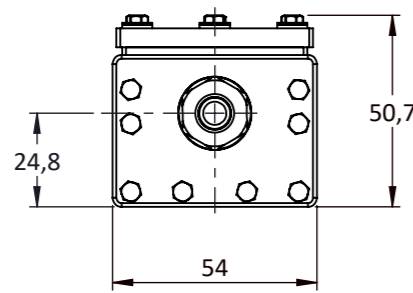
STANDAR EFFI-FLEX-IP69K IS DELIVERED WITH X8 M5X8 SCREWS TO AVOID WATER RETENTION. THESE SCREWS CAN BE REMOVED TO INSTALL THE PRODUCT THANKS TO THE THREADED HOLES

PLEASE REFER TO THE SPECIFIC DOCUMENTATION FOR WIRING LAYOUT

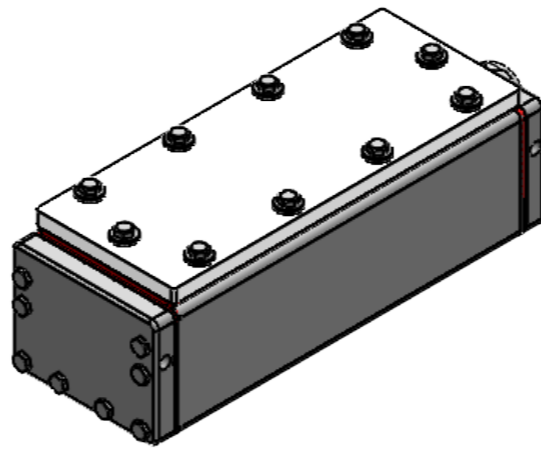
Reference <b>EFFI-FLEX-IP69K</b>		IP <b>69K</b>	1 Rue de Terre Neuve Mini Parc du Verger Bâtiment E 91940 Les Ulis, France	
Designation <b>EFFI-FLEX-IP69K-XXX-ZZZ-WW-PP-V</b>			Mail: sales@effilux.fr Tel : +33 9 72 52 70 03 www.effilux.com	
Revision /	Date 26/03/2026	Unit : mm	General Tolerances	
Scale 1:2	Size A3	Page 1/1	ISO 22081	

THIS DOCUMENT AND THE INFORMATION IT CONTAINS ARE PROPERTY OF EFFILUX AND CONFIDENTIAL. THEY SHALL NOT BE REPRODUCED NOR DISCLOSED TO ANY PERSON EXCEPT TO THOSE HAVING A NEED TO KNOW THEM WITHOUT PRIOR WRITTEN CONSENT OF EFFILUX

CE DOCUMENT ET LES INFORMATIONS QU'IL CONTIENT SONT CONFIDENTIELS ET SONT LA PROPRIETE EXCLUSIVE DE EFFILUX. ILS NE DOIVENT ETRE COMMUNIQUEES QU' AUX PERSONNES AYANT A EN CONNAITRE ET NE PEUVENT ETRE REPRODUITS NI DIVULGUES A TOUTE AUTRE PERSONNE SANS AUTORISATION PREALABLE ECRITE PAR EFFILUX



NUMBER OF LED-XXX (STANDARD VERSION)	OPTICAL LENGTH	PRODUCT LENGTH	WEIGHT (KG)
5 LED	100	149	0,8
10 LED	200	249	1,2
15 LED	300	349	1,5
20 LED	400	449	1,9
25 LED	500	549	2,3
30 LED	600	649	2,7
35 LED	700	749	3,1
40 LED	800	849	3,5
45 LED	900	949	3,9



**STANDAR EFFI-FLEX-IP69K-FOOD IS DELIVERED WITH X8 M5X8 SCREWS TO AVOID WATER RETENTION. THESE SCREWS CAN BE REMOVED TO INSTALL THE PRODUCT THANKS TO THE THREADED HOLES**

**PLEASE REFER TO THE SPECIFIC DOCUMENTATION FOR WIRING LAYOUT**

Reference <b>EFFI-FLEX-IP69K-FOOD</b>	IP <b>69K</b>	1 Rue de Terre Neuve Mini Parc du Verger Bâtiment E 91940 Les Ulis, France
Designation <b>EFFI-FLEX-IP69K-FOOD-XXX-ZZZ-WW-PP</b>		Mail: sales@effilux.fr Tel : +33 9 72 52 70 03 www.effilux.com
Revision /	Date 26/03/2026	Unit : mm
Scale 1:2	Size A3	Page 1/1
General Tolerances ISO 22081		Effilux Efficient Led Lighting