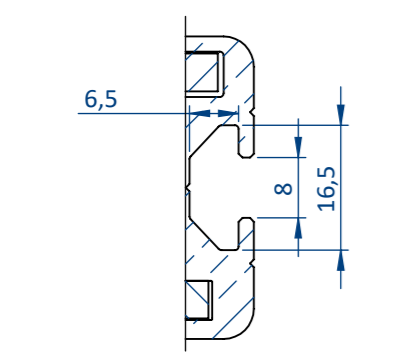


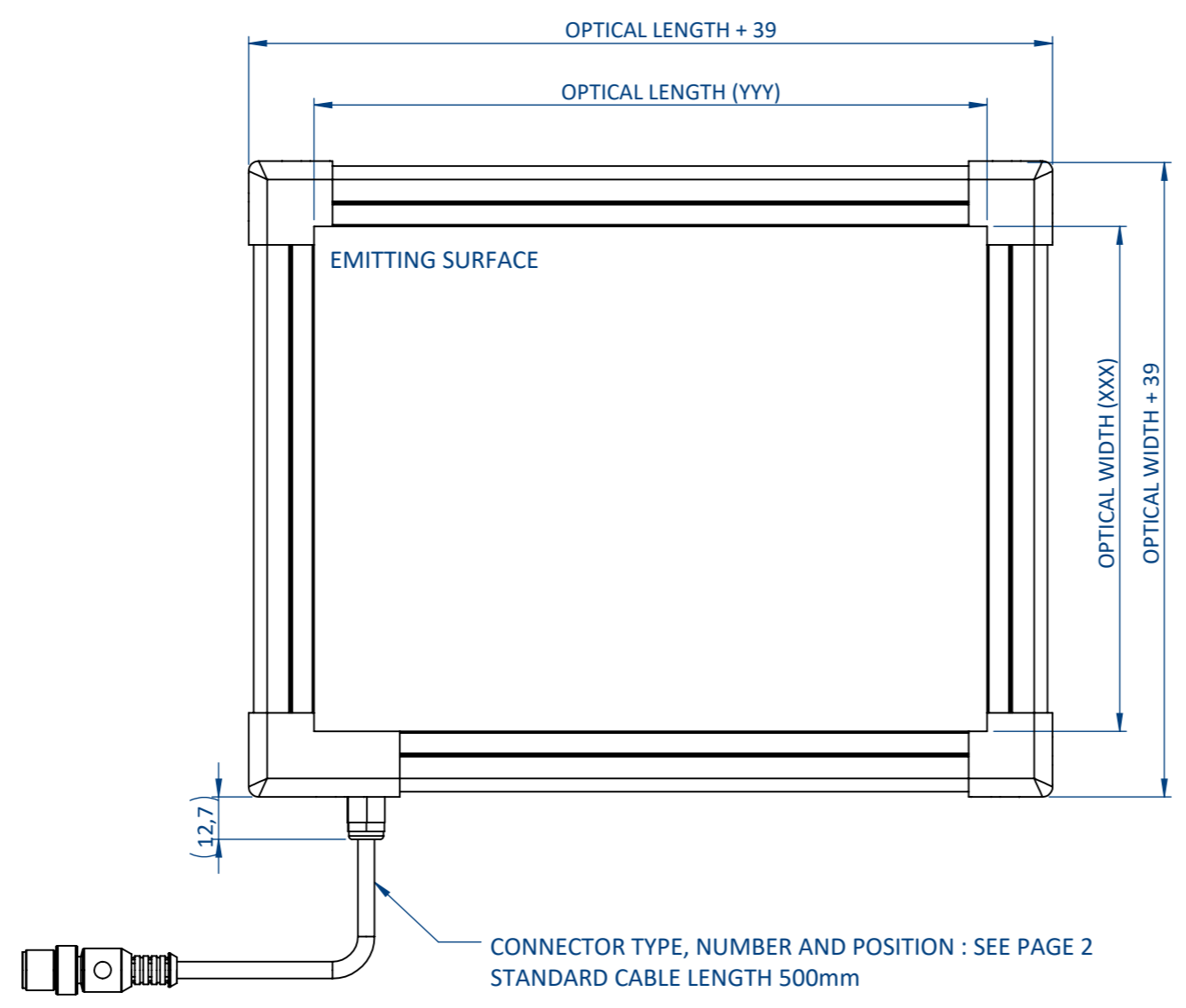
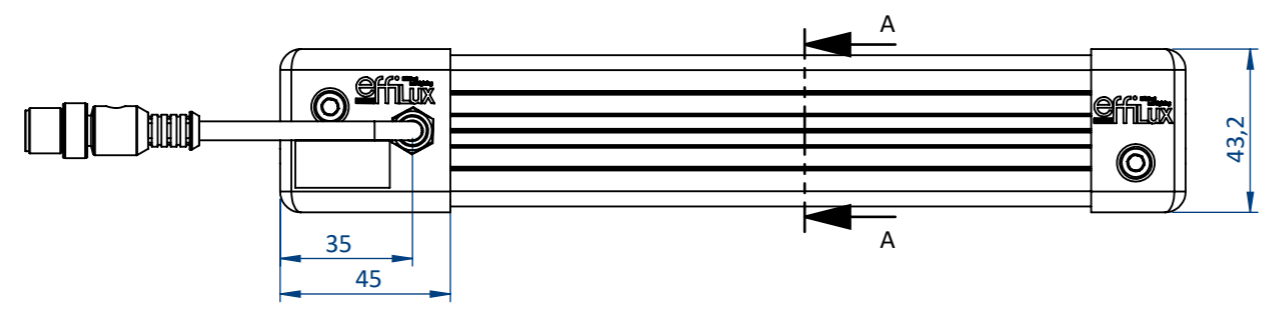
THIS DOCUMENT AND THE INFORMATION IT CONTAINS ARE PROPERTY OF EFFILUX AND CONFIDENTIAL. THEY SHALL NOT BE REPRODUCED NOR DISCLOSED TO ANY PERSON EXCEPT TO THOSE HAVING A NEED TO KNOW THEM WITHOUT PRIOR WRITTEN CONSENT OF EFFILUX

CE DOCUMENT ET LES INFORMATIONS QU'IL CONTIENT SONT CONFIDENTIELS ET SONT LA PROPRIETE EXCLUSIVE DE EFFILUX. ILS NE DOIVENT ETRE COMMUNIQUEES QU' AUX PERSONNES AYANT A EN CONNAITRE ET NE PEUVENT ETRE REPRODUITS NI DIVULGUES A TOUTE AUTRE PERSONNE SANS AUTORISATION PREALABLE ECRITE PAR EFFILUX

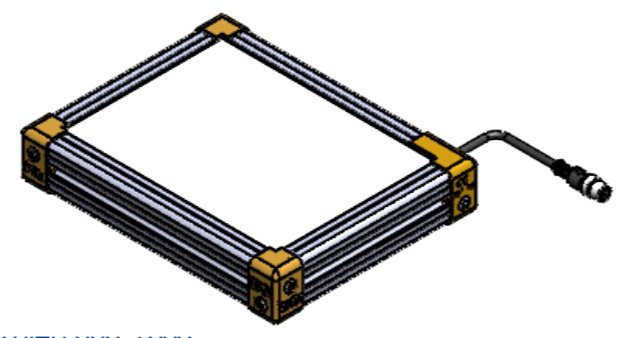
H G F E D C B A



COUPE A-A  
ECHELLE 1 : 1  
MOUNTING: T-NUT 8MM SLOT, M6



CONNECTOR TYPE, NUMBER AND POSITION : SEE PAGE 2  
STANDARD CABLE LENGTH 500mm



NOTE:  
DIMENSIONS: XXX AND YYY ARE THE OPTICAL WIDTH AND THE OPTICAL LENGTH OF THE EFFI-BL, WITH  $XXX \leq YYY$   
UP TO 1450-1450 FOR SQUARE AND UP TO 1450-2950 FOR RECTANGULAR

PLEASE REFER TO THE SPECIFIC DOCUMENTATION FOR WIRING LAYOUT

Reference <b>STANDARD EFFI-BL</b>		IP <b>5X</b>	1 Rue de Terre Neuve Mini Parc du Verger Bâtiment E 91940 Les Ulis, France
Designation <b>EFFI-BL-XXX-YYY-ZZZ</b>		Mail: sales@effilux.fr Tel : +33 9 72 52 70 03 www.effilux.com	
Revision /	Date 04/11/2020	Unit : mm	General tolerances
Scale 1:2	Size A3	Page 1/2	ISO 2768 - fH-E



H G F E D C B A

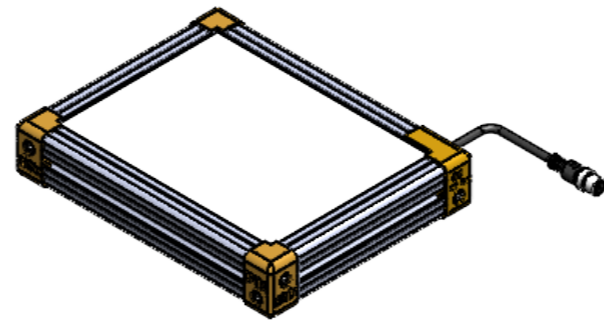
THIS DOCUMENT AND THE INFORMATION IT CONTAINS ARE PROPERTY OF EFFILUX AND CONFIDENTIAL. THEY SHALL NOT BE REPRODUCED NOR DISCLOSED TO ANY PERSON EXCEPT TO THOSE HAVING A NEED TO KNOW THEM WITHOUT PRIOR WRITTEN CONSENT OF EFFILUX

CE DOCUMENT ET LES INFORMATIONS QU'IL CONTIENT SONT CONFIDENTIELS ET SONT LA PROPRIETE EXCLUSIVE DE EFFILUX. ILS NE DOIVENT ETRE COMMUNIQUEES QU'AUX PERSONNES AYANT A EN CONNAITRE ET NE PEUVENT ETRE REPRODUITS NI DIVULGUES A TOUTE AUTRE PERSONNE SANS AUTORISATION PREALABLE ECRITE PAR EFFILUX

**Weight (kg) & Connector Type - Standard EFFI-BL / EFFI-FD**

XXX: Optical width (mm)	YYY: Optical length (mm)																				
	50	100	150	200	250	300	350	400	450	500	550	600	650	700	750	800	850	900	950	1000	1500
	50	0.4	0.5	0.7	0.8	1.0	1.1	1.3	1.4	1.5	1.7	1.8	2.0	2.1	2.3	2.4	2.6	2.7	2.9	3.0	3.2
100		0.8	1.0	1.2	1.4	1.6	1.8	2.0	2.2	2.4	2.6	2.8	3.1	3.3	3.5	3.7	3.9	4.1	4.3	4.6	6.8
150			1.2	1.5	1.8	2.0	2.3	2.5	2.8	3.1	3.3	3.6	3.8	4.1	4.4	4.6	4.9	5.2	5.5	5.7	8.5
200				1.8	2.1	2.4	2.7	3.0	3.3	3.6	4.0	4.3	4.6	4.9	5.2	5.5	5.8	6.2	6.5	6.8	10.1
250					2.5	2.8	3.2	3.5	3.9	4.2	4.6	4.9	5.3	5.6	6.0	6.3	6.7	7.1	7.4	7.8	11.6
300						3.2	3.6	4.0	4.4	4.8	5.2	5.5	5.9	6.3	6.7	7.1	7.5	8.0	8.4	8.8	13.0
350							4.0	4.5	4.9	5.3	5.7	6.2	6.6	7.0	7.5	7.9	8.4	8.8	9.3	9.7	14.4
400								4.9	5.4	5.9	6.3	6.8	7.3	7.7	8.2	8.7	9.2	9.7	10.2	10.7	15.8
450									5.9	6.4	6.9	7.4	7.9	8.4	9.0	9.5	10	10.5	11.1	11.6	17.1
500										6.9	7.5	8.0	8.6	9.1	9.7	10.2	10.8	11.4	11.9	12.5	18.5
550											8.1	8.6	9.2	9.8	10.4	11.0	11.6	12.2	12.8	13.4	19.8
600												9.3	9.9	10.5	11.1	11.8	12.4	13.0	13.7	14.3	21.1
650													10.5	11.2	11.9	12.5	13.2	13.9	14.6	15.3	22.5
700														11.9	12.6	13.3	14.0	14.7	15.5	16.2	23.8
750															13.3	14.1	14.8	15.6	16.4	17.1	25.1
800																14.9	15.7	16.5	17.2	18.1	26.4
850																	16.5	17.3	18.1	19.0	27.8
900																		18.2	19.1	19.9	29.1
950																			20.0	20.9	30.5
1000																				21.8	31.9
1500																					46.1

Electrical Power	Corresponding color	Amount & type of connectors
≤ 70W		1X M12
75W - 145W		2X M12 or 1X M12 Power
150W - 270W		3X M12 or 1X M12 Power
275W - 560W		2X M12 Power
> 560W		Specific configuration

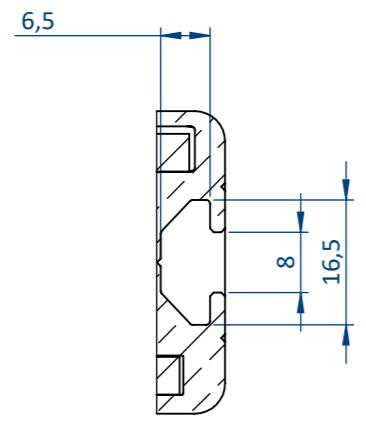


Number of connector	Type of connector	Drawing (Minimum bending radius R specified for fixed installation)
1	M12 - 4 pins (MALE)	
1	M12 POWER (T-Coded) - 4 pins (MALE)	
2 or 3	M12 - 4 pins (MALE)	
2 or 3	M12 POWER (T-Coded) - 4 pins (MALE)	

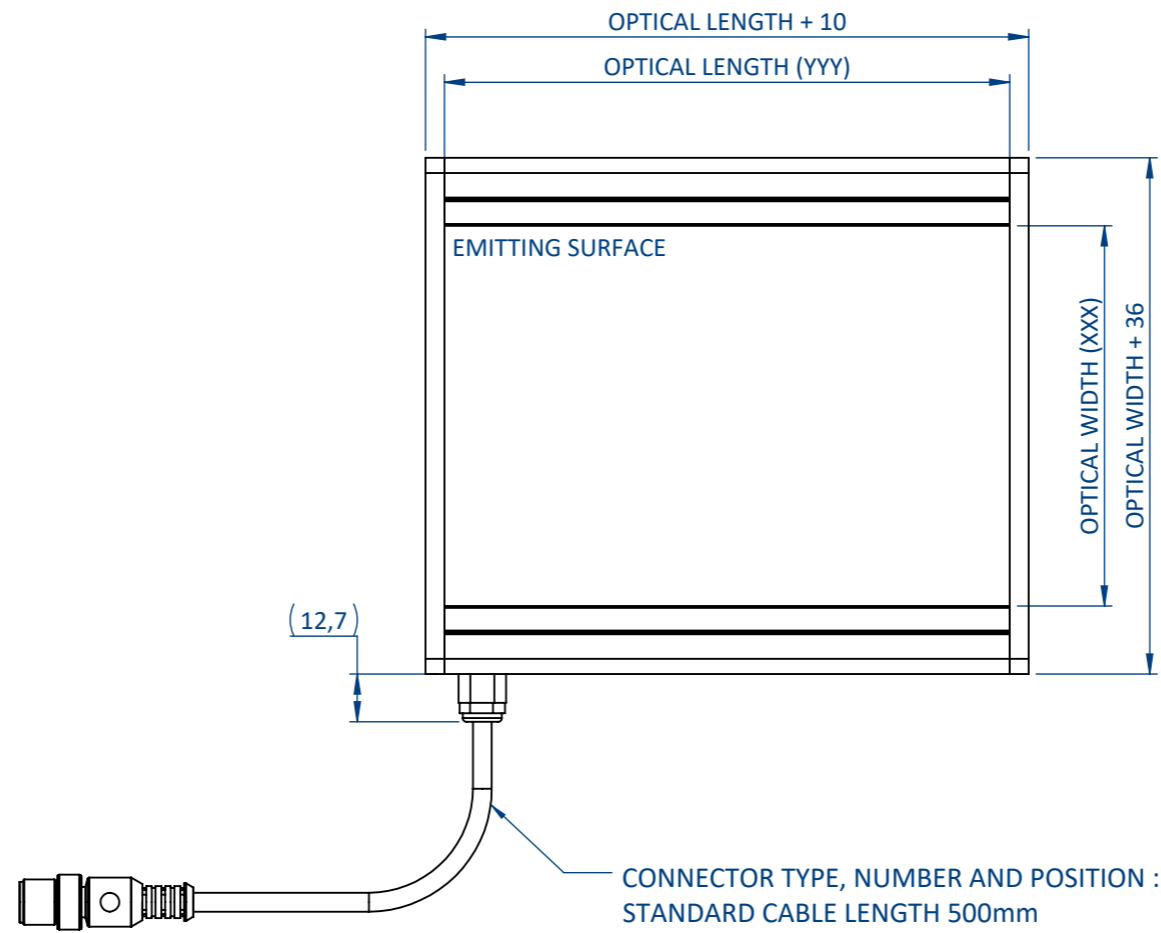
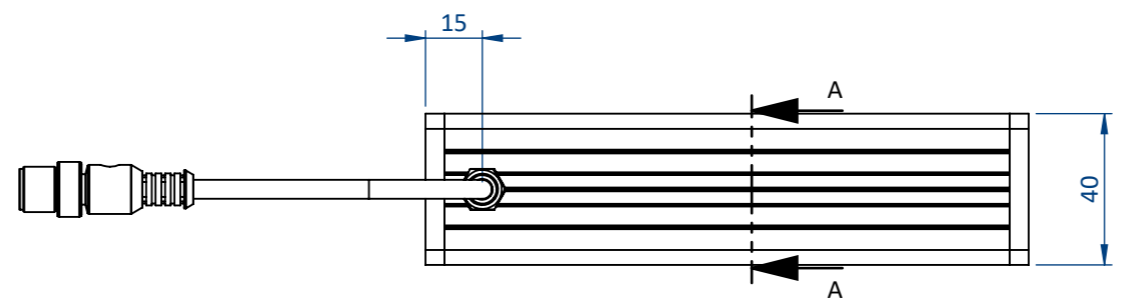
Reference <b>STANDARD EFFI-BL</b>	IP <b>5X</b>	1 Rue de Terre Neuve Mini Parc du Verger Bâtiment E 91940 Les Ulis, France
Designation <b>EFFI-BL-XXX-YYY-ZZZ</b>		Mail: sales@effilux.fr Tel : +33 9 72 52 70 03 www.effilux.com
Revision /	Date 04/11/2020	Unit : mm
Scale 1:3	Size A3	Page 2/2
General Tolerances ISO 2768 - fH-E		

THIS DOCUMENT AND THE INFORMATION IT CONTAINS ARE PROPERTY OF EFFILUX AND CONFIDENTIAL. THEY SHALL NOT BE REPRODUCED NOR DISCLOSED TO ANY PERSON EXCEPT TO THOSE HAVING A NEED TO KNOW THEM WITHOUT PRIOR WRITTEN CONSENT OF EFFILUX

CE DOCUMENT ET LES INFORMATIONS QU'IL CONTIENT SONT CONFIDENTIELS ET SONT LA PROPRIETE EXCLUSIVE DE EFFILUX. ILS NE DOIVENT ETRE COMMUNIQUEES QU' AUX PERSONNES AYANT A EN CONNAITRE ET NE PEUVENT ETRE REPRODUITS NI DIVULGUES A TOUTE AUTRE PERSONNE SANS AUTORISATION PREALABLE ECRITE PAR EFFILUX



COUPE A-A  
ECHELLE 1 : 1  
MOUNTING : T-NUT 8MM SLOT M6



CONNECTOR TYPE, NUMBER AND POSITION : SEE PAGE 2  
STANDARD CABLE LENGTH 500mm

PLEASE REFER TO THE SPECIFIC DOCUMENTATION FOR WIRING LAYOUT

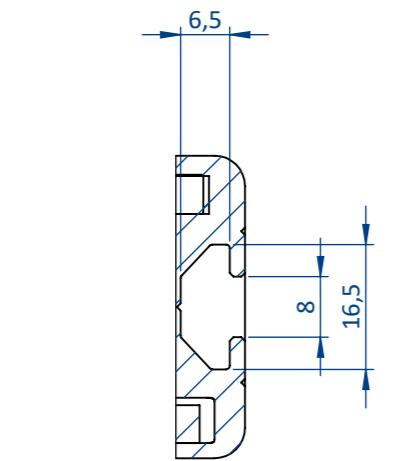
Reference <b>STANDARD EFFI-BL THIN EDGES</b>		IP <b>5X</b>	1 Rue de Terre Neuve Mini Parc du Verger Bâtiment E 91940 Les Ulis, France
Designation <b>EFFI-BL-XXXT-YYY-ZZZ</b>		Mail: sales@effilux.fr Tel : +33 9 72 52 70 03 www.effilux.com	
Revision /	Date 26/04/2022	Unit : mm	General Tolerances X ≤ 300 TOL ±0,2 300 < X < 800 TOL ±0,5 X ≥ 800 TOL ± 1
Scale 1:2	Size A3	Page 1/2	

NOTE :  
XXX AND YYY ARE THE OPTICAL DIMENSIONS OF THE EFFI-BL, WITH XXX ≤ YYY

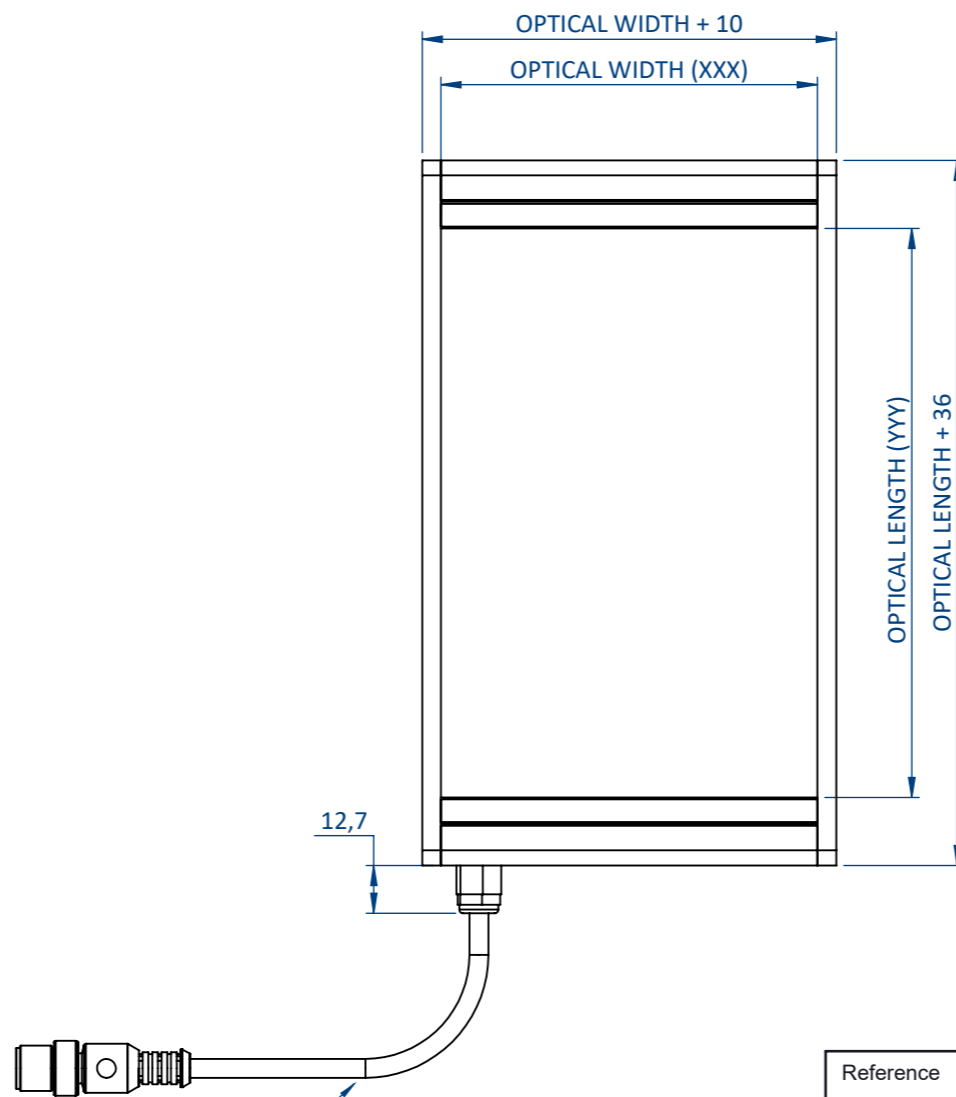
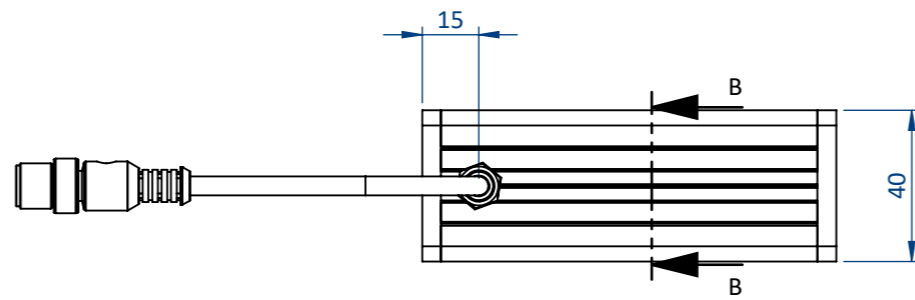


THIS DOCUMENT AND THE INFORMATION IT CONTAINS ARE PROPERTY OF EFFILUX AND CONFIDENTIAL. THEY SHALL NOT BE REPRODUCED NOR DISCLOSED TO ANY PERSON EXCEPT TO THOSE HAVING A NEED TO KNOW THEM WITHOUT PRIOR WRITTEN CONSENT OF EFFILUX

CE DOCUMENT ET LES INFORMATIONS QU'IL CONTIENT SONT CONFIDENTIELS ET SONT LA PROPRIETE EXCLUSIVE DE EFFILUX. ILS NE DOIVENT ETRE COMMUNIQUEES QU' AUX PERSONNES AYANT A EN CONNAITRE ET NE PEUVENT ETRE REPRODUITS NI DIVULGUES A TOUTE AUTRE PERSONNE SANS AUTORISATION PREALABLE ECRITE PAR EFFILUX



COUPE B-B  
ECHELLE 1 : 1  
MOUNTING : T-NUT 8MM SLOT M6



CONNECTOR TYPE, NUMBER AND POSITION : SEE PAGE 2  
STANDARD CABLE LENGTH 500mm

NOTE :  
XXX AND YYY ARE THE OPTICAL DIMENSIONS OF THE EFFI-BL, WITH  $XXX \leq YYY$

Reference		IP	1 Rue de Terre Neuve Mini Parc du Verger Bâtiment E 91940 Les Ulis, France	
<b>STANDARD EFFI-BL THIN EDGES</b>		<b>5X</b>		
Designation		Mail: sales@effilux.fr Tel : +33 9 72 52 70 03 www.effilux.com		
<b>EFFI-BL-XXX-YYYT-ZZZ</b>				
Revision /	Date	Unit : mm	General Tolerances	
Scale 1:2	26/04/2022		X ≤ 300	TOL ±0,2
Size A3	Page 2/2		300 < X < 800	TOL ±0,5
			X ≥ 800	TOL ± 1